

**KBT**
**806~960/1710~2700/3300~3800MHz 80°/75°/65°
9/9/9dBi Logarithmic Periodic Directional Antenna**
TQJ-0838DSFL-TT**Application**

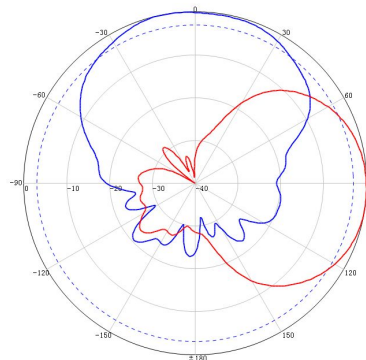
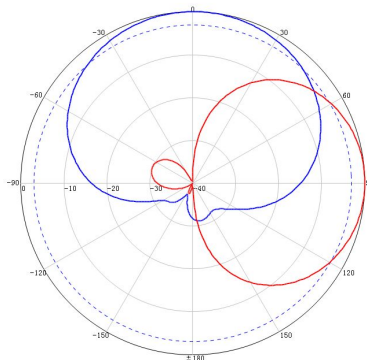
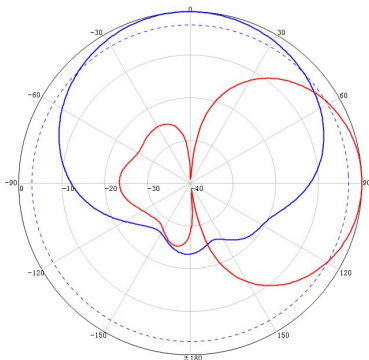
Used in 2G/3G/4G/5G/WLAN system

Electrical specifications

Frequency range (MHz)	806~960	1710~2700	3300~3800
Polarization	Vertical		
Gain (dBi)	9±1	9±1	9±1
Horizontal beam width (°)	80±15	75±15	65±15
Vertical beam width (°)	60	55	50
Front-to-back ratio (dB)	≥15		
Impedance (Ω)	50		
VSWR	≤1.5		
Intermodulation IM3 (2×33dBm carrier)	≤-140 dBc		
Maximum power (W)	50		
Lighting protection	DC Ground		

Mechanical specifications

Connector	N Female or customer requirement
Exposed cable size (cm)	20(or customer requirement)
Connector position	Bottom
Antenna size (mm)	(442*210*65)±2
Packing size (mm)	488*225*88
Weight (kg)	1.0 (Include bracket)
Radome material	ABS
Radome color	White
Operating temperature (°C)	-40~60
Application	Outdoor
Mechanical tilt (°)	0° or 42°
Rated wind velocity (m/s)	40
Suitable pole diameter (mm)	Φ25-Φ50
Mounting kit	JM-T4A

806~960MHz Typical pattern:**1710~2700MHz Typical pattern:****3300~3800MHz Typical pattern:**



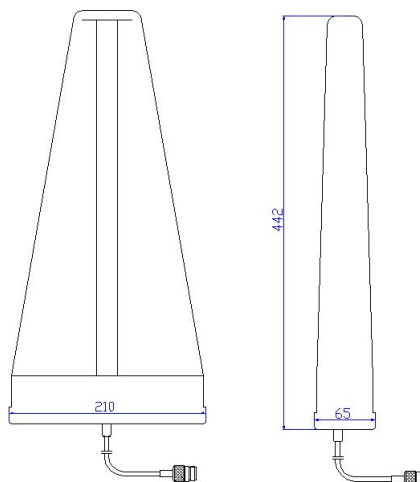
KBT

**806~960/1710~2700/3300~3800MHz 80°/75°/65°
9/9/9dBi Logarithmic Periodic Directional Antenna**

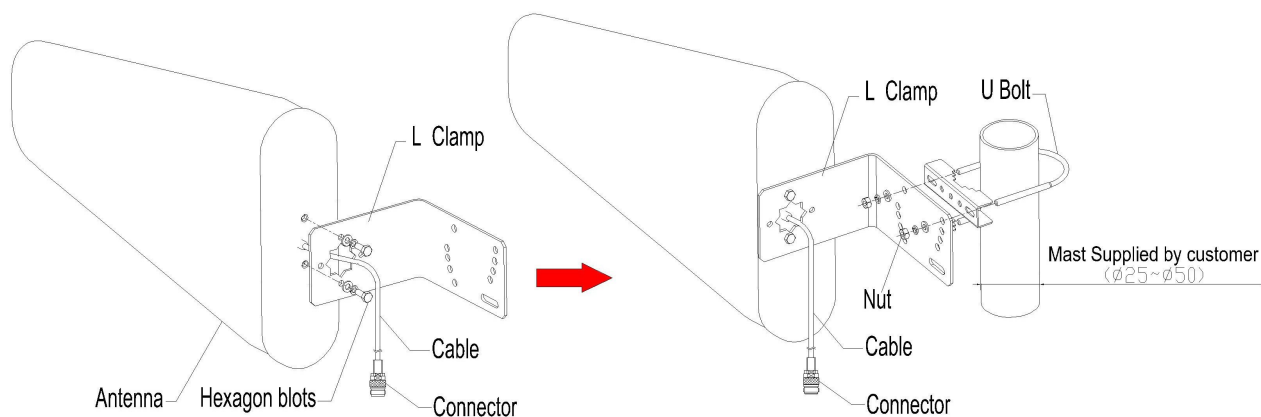
Product pictures



Product size



Installation Sketch



Attention!

When installing, you should let the side with a littlehole face down to prevent the antenna radome from water.